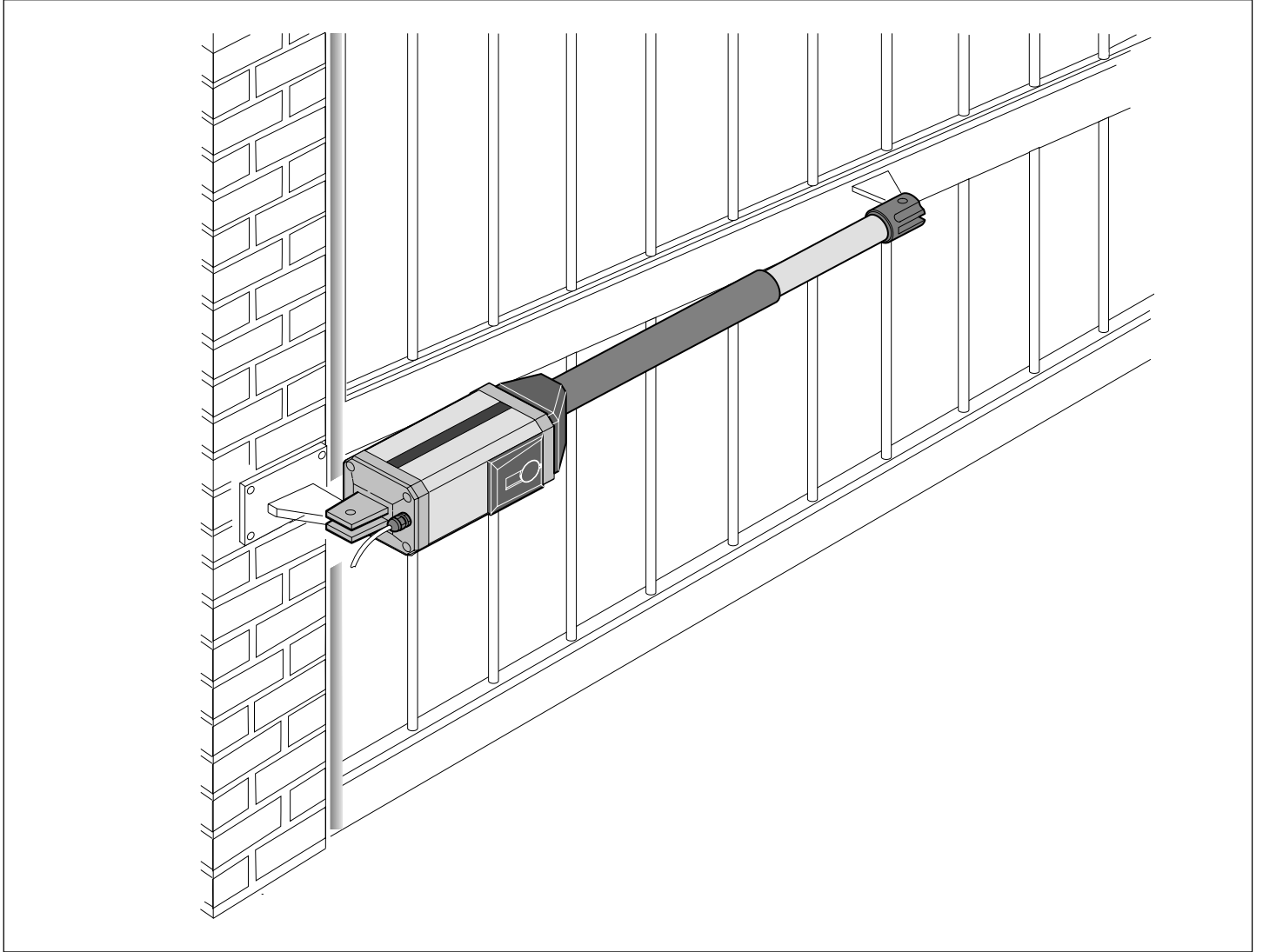


# ***Elite***



# **GENIUS<sup>®</sup>**

**COMPANY  
WITH QUALITY SYSTEM  
CERTIFIED BY DNV  
=ISO 9001/2000=**

**CE**

## AVVERTENZE PER L'INSTALLATORE

### OBBLIGHI GENERALI PER LA SICUREZZA

- ATTENZIONE! È importante per la sicurezza delle persone seguire attentamente tutta l'istruzione. Una errata installazione o un errato uso del prodotto può portare a gravi danni alle persone.**
- Leggere attentamente le istruzioni prima di iniziare l'installazione del prodotto.
- I materiali dell'imballaggio (plastica, polistirolo, ecc.) non devono essere lasciati alla portata dei bambini in quanto potenziali fonti di pericolo.
- Conservare le istruzioni per riferimenti futuri.
- Questo prodotto è stato progettato e costruito esclusivamente per l'utilizzo indicato in questa documentazione. Qualsiasi altro utilizzo non espressamente indicato potrebbe pregiudicare l'integrità del prodotto e/o rappresentare fonte di pericolo.
- GENIUS declina qualsiasi responsabilità derivata dall'uso improprio o diverso da quello per cui l'automatismo è destinato.
- Non installare l'apparecchio in atmosfera esplosiva: la presenza di gas o fumi infiammabili costituisce un grave pericolo per la sicurezza.
- Gli elementi costruttivi meccanici devono essere in accordo con quanto stabilito dalle Norme EN 12604 e EN 12605.  
Per i Paesi extra-CEE, oltre ai riferimenti normativi nazionali, per ottenere un livello di sicurezza adeguato, devono essere seguite le Norme sopra riportate.
- GENIUS non è responsabile dell'inosservanza della Buona Tecnica nella costruzione delle chiusure da motorizzare, nonché delle deformazioni che dovessero intervenire nell'utilizzo.
- L'installazione deve essere effettuata nell'osservanza delle Norme EN 12453 e EN 12445. Il livello di sicurezza dell'automazione deve essere C+E.
- Prima di effettuare qualsiasi intervento sull'impianto, togliere l'alimentazione elettrica.
- Prevedere sulla rete di alimentazione dell'automazione un interruttore onnipolare con distanza d'apertura dei contatti uguale o superiore a 3 mm. È consigliabile l'uso di un magnetotermico da 6A con interruzione onnipolare.
- Verificare che a monte dell'impianto vi sia un interruttore differenziale con soglia da 0,03 A.
- Verificare che l'impianto di terra sia realizzato a regola d'arte e collegarvi le parti metalliche della chiusura.
- L'automazione dispone di una sicurezza intrinseca antischiacciamento costituita da un controllo di coppia. E' comunque necessario verificarne la soglia di intervento secondo quanto previsto dalle Norme indicate al punto 10.
- I dispositivi di sicurezza (norma EN 12978) permettono di proteggere eventuali aree di pericolo da **Rischi meccanici di movimento**, come ad Es. schiacciamento, convogliamento, cesoiamento.
- Per ogni impianto è consigliato l'utilizzo di almeno una segnalazione luminosa nonché di un cartello di segnalazione fissato adeguatamente sulla struttura dell'infisso, oltre ai dispositivi citati al punto "16".
- GENIUS declina ogni responsabilità ai fini della sicurezza e del buon funzionamento dell'automazione, in caso vengano utilizzati componenti dell'impianto non di produzione GENIUS.
- Per la manutenzione utilizzare esclusivamente parti originali GENIUS.
- Non eseguire alcuna modifica sui componenti facenti parte del sistema d'automazione.
- L'installatore deve fornire tutte le informazioni relative al funzionamento manuale del sistema in caso di emergenza e consegnare all'Utente utilizzatore dell'impianto il libretto d'avvertenze allegato al prodotto.
- Non permettere ai bambini o persone di sostare nelle vicinanze del prodotto durante il funzionamento.
- Tenere fuori dalla portata dei bambini radiocomandi o qualsiasi altro datore di impulso, per evitare che l'automazione possa essere azionata involontariamente.
- Il transito tra le ante deve avvenire solo a cancello completamente aperto.
- L'Utente utilizzatore deve astenersi da qualsiasi tentativo di riparazione o d'intervento diretto e rivolgersi solo a personale qualificato.
- Tutto quello che non è previsto espressamente in queste istruzioni non è permesso**

### IMPORTANT NOTICE FOR THE INSTALLER

#### GENERAL SAFETY REGULATIONS

- ATTENTION! To ensure the safety of people, it is important that you read all the following instructions. Incorrect installation or incorrect use of the product could cause serious harm to people.**
- Carefully read the instructions before beginning to install the product.
- Do not leave packing materials (plastic, polystyrene, etc.) within reach of children as such materials are potential sources of danger.
- Store these instructions for future reference.
- This product was designed and built strictly for the use indicated in this documentation. Any other use, not expressly indicated here, could compromise the good condition/operation of the product and/or be a source of danger.
- GENIUS declines all liability caused by improper use or use other than that for which the automated system was intended.
- Do not install the equipment in an explosive atmosphere: the presence of inflammable gas or fumes is a serious danger to safety.

- The mechanical parts must conform to the provisions of Standards EN 12604 and EN 12605.  
For non-EU countries, to obtain an adequate level of safety, the Standards mentioned above must be observed, in addition to national legal regulations.
- GENIUS is not responsible for failure to observe Good Technique in the construction of the closing elements to be motorised, or for any deformation that may occur during use.
- The installation must conform to Standards EN 12453 and EN 12445. The safety level of the automated system must be C+E.
- Before attempting any job on the system, cut out electrical power.
- The mains power supply of the automated system must be fitted with an all-pole switch with contact opening distance of 3mm or greater. Use of a 6A thermal breaker with all-pole circuit break is recommended.
- Make sure that a differential switch with threshold of 0.03 A is fitted upstream of the system.
- Make sure that the earthing system is perfectly constructed, and connect metal parts of the means of the closure to it.
- The automated system is supplied with an intrinsic anti-crushing safety device consisting of a torque control. Nevertheless, its tripping threshold must be checked as specified in the Standards indicated at point 10.
- The safety devices (EN 12978 standard) protect any danger areas against **mechanical movement Risks**, such as crushing, dragging, and shearing.
- Use of at least one indicator-light is recommended for every system, as well as a warning sign adequately secured to the frame structure, in addition to the devices mentioned at point "16".
- GENIUS declines all liability as concerns safety and efficient operation of the automated system, if system components not produced by GENIUS are used.
- For maintenance, strictly use original parts by GENIUS.
- Do not in any way modify the components of the automated system.
- The installer shall supply all information concerning manual operation of the system in case of an emergency, and shall hand over to the user the warnings handbooks supplied with the product.
- Do not allow children or adults to stay near the product while it is operating.
- Keep remote controls or other pulse generators away from children, to prevent the automated system from being activated involuntarily.
- Transit through the leaves is allowed only when the gate is fully open.
- The user must not attempt any kind of repair or direct action whatever and contact qualified personnel only.
- Anything not expressly specified in these instructions is not permitted.**

### CONSIGNES POUR L'INSTALLATEUR

#### RÈGLES DE SÉCURITÉ

- ATTENTION! Il est important, pour la sécurité des personnes, de suivre à la lettre toutes les instructions. Une installation erronée ou un usage erroné du produit peut entraîner de graves conséquences pour les personnes.**
- Lire attentivement les instructions avant d'installer le produit.
- Les matériaux d'emballage (matière plastique, polystyrène, etc.) ne doivent pas être laissés à la portée des enfants car ils constituent des sources potentielles de danger.
- Conserver les instructions pour les références futures.
- Ce produit a été conçu et construit exclusivement pour l'usage indiqué dans cette documentation. Toute autre utilisation non expressément indiquée pourrait compromettre l'intégrité du produit et/ou représenter une source de danger.
- GENIUS décline toute responsabilité qui dériverait d'usage impropre ou différent de celui auquel l'automatisme est destiné.
- Ne pas installer l'appareil dans une atmosphère explosive: la présence de gaz ou de fumées inflammables constitue un grave danger pour la sécurité.
- Les composants mécaniques doivent répondre aux prescriptions des Normes EN 12604 et EN 12605.  
Pour les Pays extra-CEE, l'obtention d'un niveau de sécurité approprié exige non seulement le respect des normes nationales, mais également le respect des Normes susmentionnées.
- GENIUS n'est pas responsable du non-respect de la Bonne Technique dans la construction des fermetures à motoriser, ni des déformations qui pourraient intervenir lors de l'utilisation.
- L'installation doit être effectuée conformément aux Normes EN 12453 et EN 12445. Le niveau de sécurité de l'automatisme doit être C+E.
- Couper l'alimentation électrique avant toute intervention sur l'installation.
- Prévoir, sur le secteur d'alimentation de l'automatisme, un interrupteur onnipolaire avec une distance d'ouverture des contacts égale ou supérieure à 3 mm. On recommande d'utiliser un magnétothermique de 6A avec interruption onnipolaire.
- Vérifier qu'il y ait, en amont de l'installation, un interrupteur différentiel avec un seuil de 0,03 A.
- Vérifier que la mise à terre est réalisée selon les règles de l'art et y connecter les pièces métalliques de la fermeture.
- L'automatisme dispose d'une sécurité intrinsèque anti-écrasement, formée d'un contrôle du couple. Il est toutefois nécessaire d'en vérifier le seuil d'intervention suivant les prescriptions des Normes indiquées au point 10.
- Les dispositifs de sécurité (norme EN 12978) permettent de protéger des zones éventuellement dangereuses contre les **Risques mécaniques du mouvement**, comme l'écrasement, l'acheminement, le cisaillement.

# ELITE AUTOMATION

The ELITE automation system for swing gates comprises an electromechanical operator which drives the gate leaves by means of a worm screw.

The ELITE operator is irreversible and locks mechanically when the motor is not in use. Therefore a lock does not need to be fitted. Its manual override is activated by a customised key.

## 1. DESCRIPTION AND TECHNICAL SPECIFICATIONS

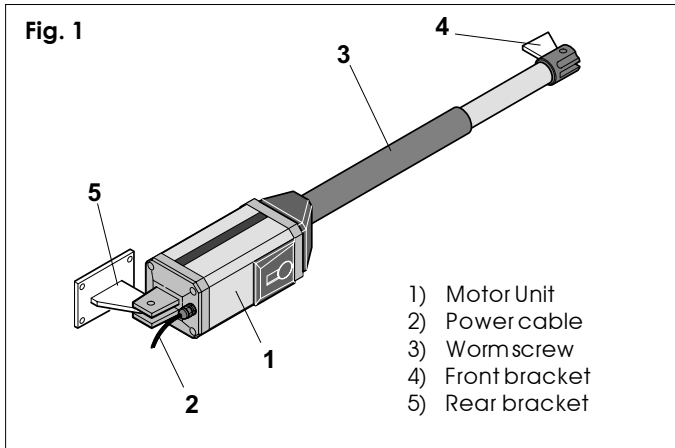
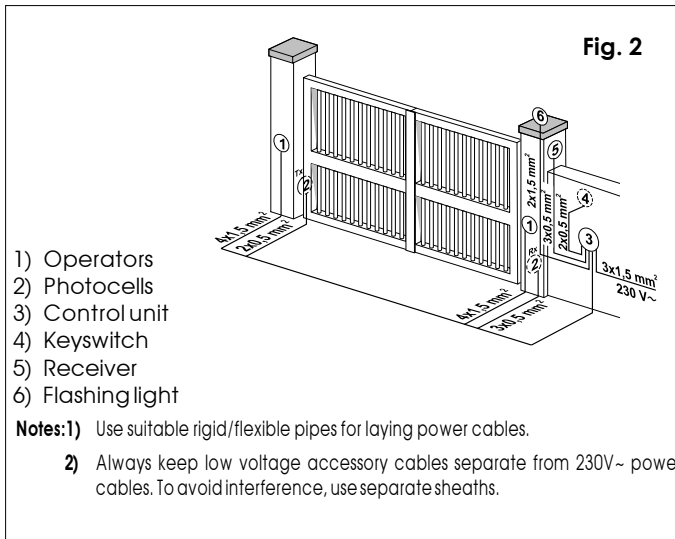


Table 1: Operator technical specifications

Model	ELITE 300 ELITE 400	ELITE 324 ELITE 424	ELITE LENTO
Powersupply	230V~50Hz	24Vdc	230V~50Hz
Absorbed power	350W	70W	280W
Current drawn	1,5A	3A	1,2A
Electric motor rpm	1400		900
Thermal cutout	140°C		140°C
Capacitor	10µF/400V		8µF/400V
Max. thrust/traction force	400 daN	300 daN	320 daN
Rod stroke	300 mm / 400 mm		400 mm
Rod speed	1,6 cm/sec		1,1 cm/sec
Temperature range	-20°C +55°C		
Operator weight	6,5 Kg		
Housing protection	IP 44		
Duty cycle (cycles/hour)	20	50	20
Maximum leaf length	3 m / 4 m		

## 2. STANDARD INSTALLATION LAYOUT



## Drawing A INSTALLATION DIMENSIONS

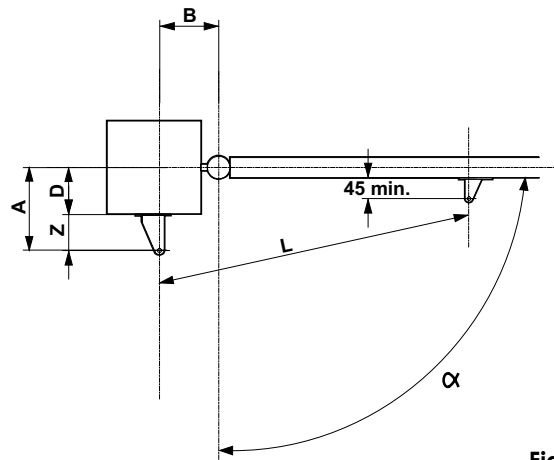


Table A: Recommended dimensions (in mm)

Model	$\alpha$	A	B	C <sup>(1)</sup>	D <sup>(2)</sup>	Z <sup>(3)</sup>	L
300	90°	145	145	290	70	45	970
	110°	125	125	290	50	45	970
400	90°	195	195	390	120	45	1170
	110°	165	165	390	90	45	1170

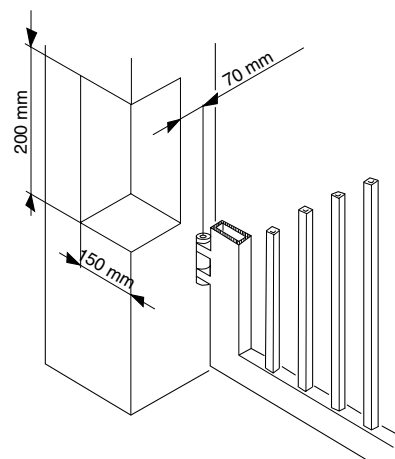
(<sup>1</sup>) useful rod stroke (<sup>2</sup>) max. dimension (<sup>3</sup>) min. dimension

### CALCULATING INSTALLATION DIMENSIONS: GENERAL RULES

If the dimensions specified in Table A cannot be used, calculate different dimensions as follows:

- For **90° leaf opening**:  $a + b = c$
- For **leaf opening over 90°**:  $a + b < c$
- **The lower the dimensions of a and b the higher the gate speed.** Ensure that current standards are observed.
- **Make sure that the difference between a and b is no more than 4 cm:** larger differences cause large variations in speed during opening and closing.
- Due to the dimensions of the operator, the minimum value for **Z is 45 mm** (fig. A)

If the dimensions of the gate post or the position of the hinge do not allow **a** to be kept within the required value, make a recess in the gate post as shown in fig. B.



**3. INSTALLATION OF THE AUTOMATION SYSTEM**

**3.1. PRELIMINARY CHECKS**

To ensure trouble-free operation, make sure that the gate (whether existing or to be installed) has the following specifications:

- max. length of each gate leaf: 3 metres (with operator with 300 mm stroke);
- maximum length of each gate leaf: 4 metres (with operator with 400 mm stroke);
- strong and rigid leaf frame
- smooth movement of leaves during entire travel; no stiff points
- hinges in good condition
- mechanical travel limit stops present
- electric lock present in reversible version.

If any welding or brazing has to be done on the gate, this must be done before installing the automation system.

Good condition of the structure is essential for reliability and safety of the automation system.

**3.2. INSTALLATION OF THE OPERATORS**

- 1) Fix the rear bracket to the gate post according to the instructions in **Table A**. Adjust the length of the bracket if necessary.

**Warning:** Observe the specified dimensions to ensure correct operator operation.

In the case of iron gate posts, weld the bracket directly onto the gate post.

In the case of brick/concrete gate posts, flush-mount a wall plate (fig. 3), and weld the bracket to the plate.

- 2) Fix the operator to the rear bracket by means of the screws supplied (fig. 3).

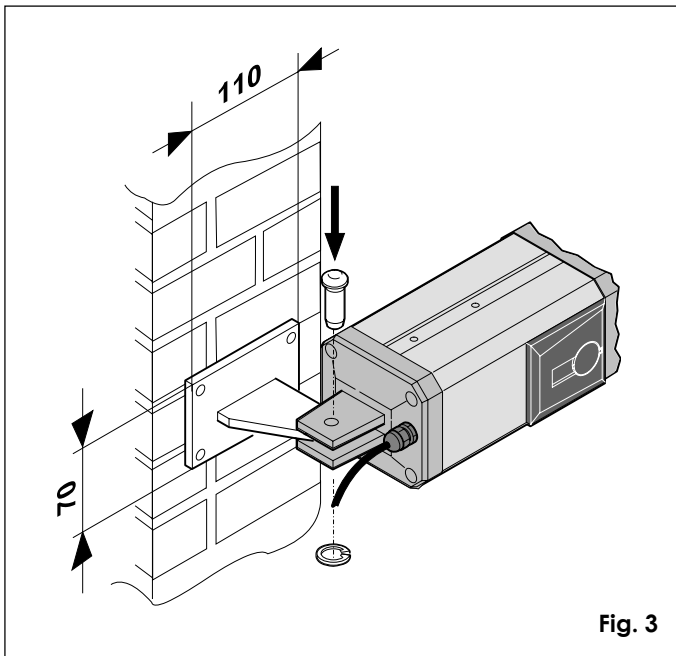


Fig. 3

- 3) Release the operator (see paragraph 6).
- 4) Extend the rod to the end of its stroke (fig. 4).
- 5) Lock the operator (see paragraph 7).
- 6) Rotate the operator rod two full turns clockwise (fig. 4).

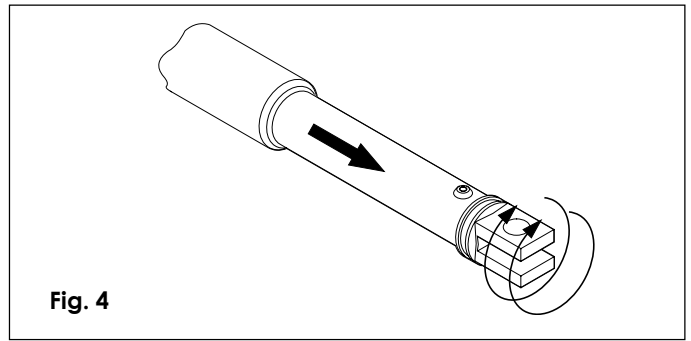


Fig. 4

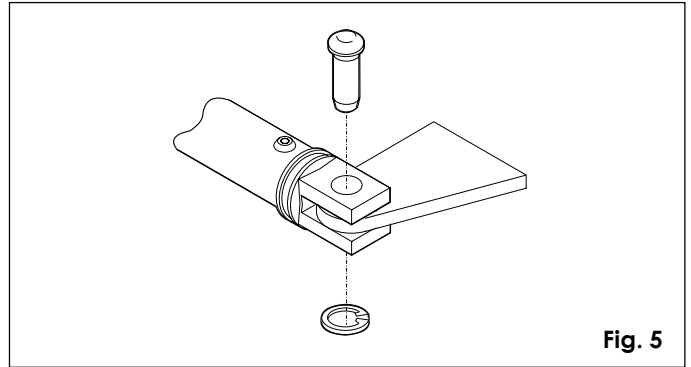


Fig. 5

- 7) Fit the front bracket onto the rod as shown in fig. 5.
- 8) Close the gate leaf and, keeping the operator perfectly horizontal, locate the leaf attachment position on the front bracket (fig. 6).

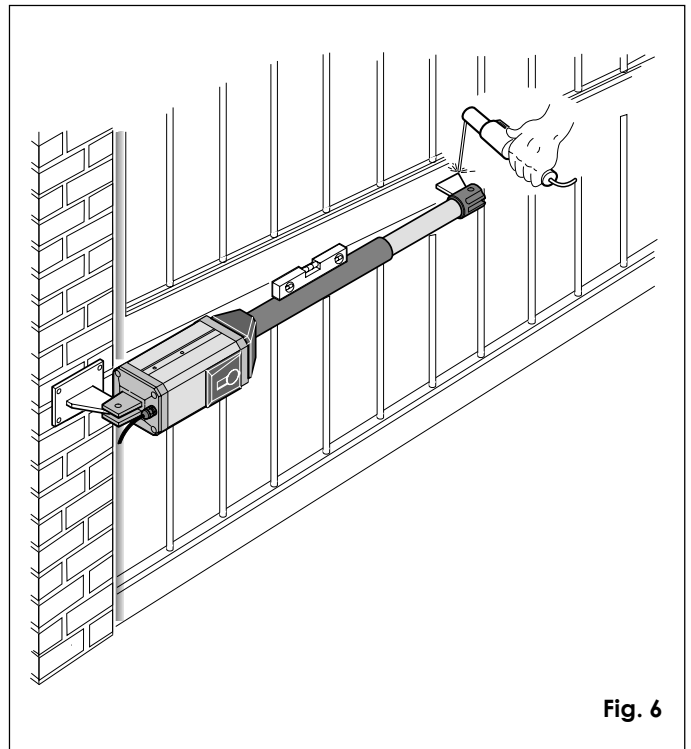


Fig. 6

- 9) Fix the front bracket temporarily to the leaf by two welds. **N.B.:** If the gate frame does not allow for secure fixing of the bracket, add a support plate.
- 10) Release the operator and ensure that the gate opens smoothly with no stiff points and that it stops on the mechanical travel stops.

## ENGLISH

- 11) Completely weld the front bracket to the leaf. When doing this, detach the operator temporarily from the bracket to prevent damage from welding scale.

### N.B.:

- 1) Grease all pivots on brackets
  - 2) If welding is not possible, the front and rear bracket plates can be fixed using screws and screw anchors.
- 12) Attach the metal tag to the slot in the top section of the motor in order to blank off the holes present as shown fig.7. On the other hand, do not block the holes to be found in the lower section.

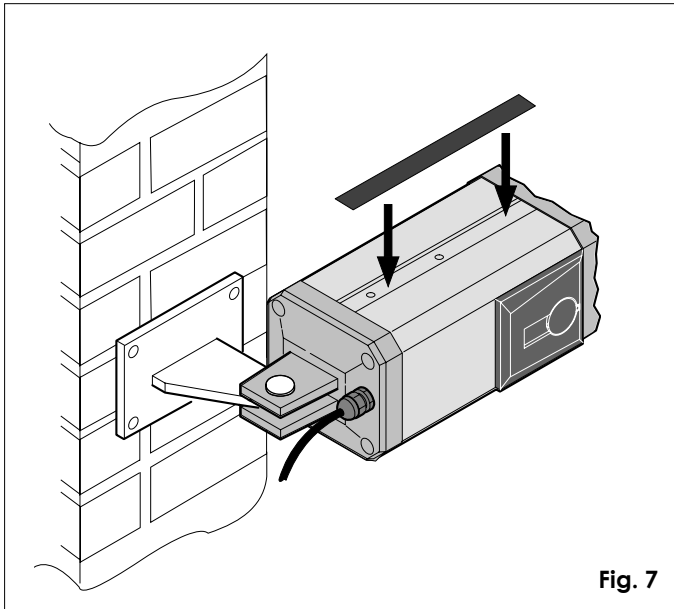


Fig. 7

- 13) Repeat the above operations to install the second operator, if required.
- 14) Install the control unit box according to the dimensions given in the relevant instructions.

## 4. STARTING THE AUTOMATED UNIT

- 1) Program the control unit according to your requirements as described in the relevant instructions.
- 2) Power up the system and check the state of the LEDs according to the table in the control unit instructions.

## 5. TESTING THE AUTOMATED UNIT

Carefully check operation of the operator and all accessories connected to it.

Give the customer the page entitled "End-User Guide". Describe how the operator works and explain how it is to be used correctly. Inform the customer of the potential hazard areas of the automation.

## 6. MANUAL OPERATION

The gate can be operated manually in the event of a power failure or malfunction by removing the plug and inserting the special release key as shown in fig. 8.

To release the operator, turn the key as shown in fig. 8. Open or close the leaves manually.

## 7. RETURNING TO NORMAL OPERATION

Turn off the electricity supply to the system before re-locking the operators to avoid all risk of starting them accidentally.

To re-lock the operator, turn the key as shown in fig. 9.

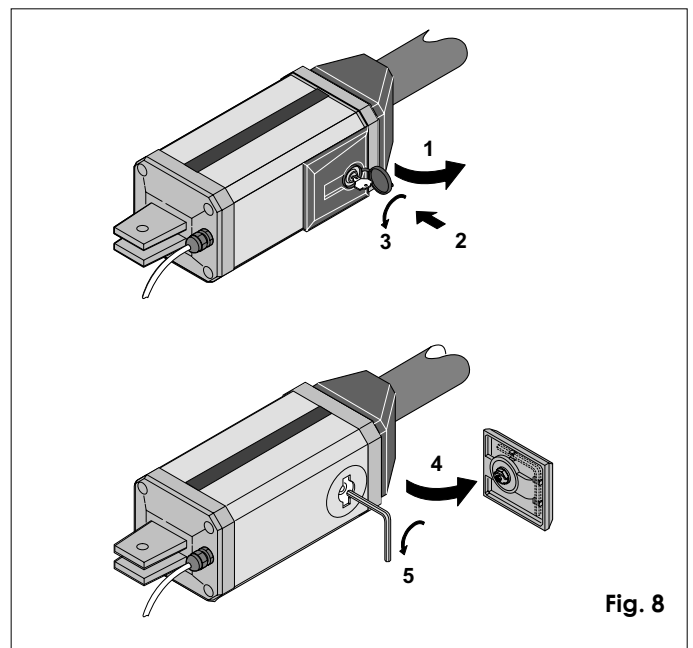


Fig. 8

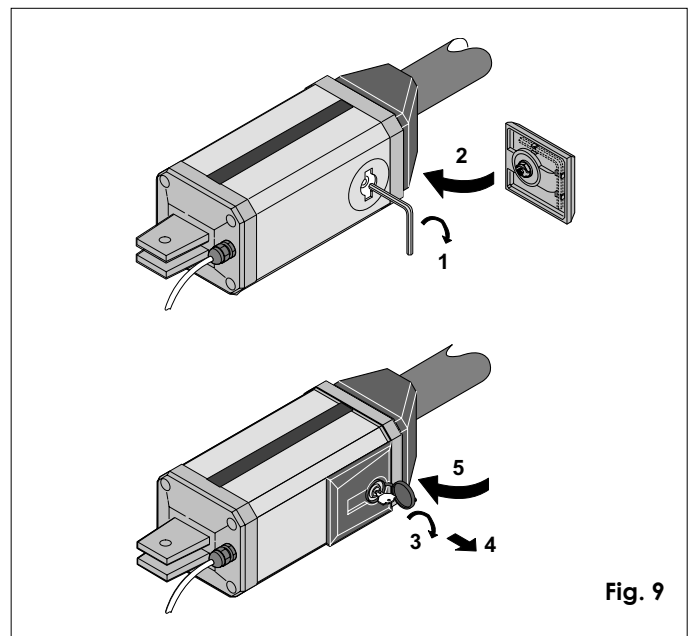


Fig. 9

## 8. SPECIAL APPLICATIONS

There are no special applications.

## 9. MAINTENANCE

Carry out periodic checks of the gate structure and ensure in particular that the hinges are in perfect working condition.

Check periodically that the electronic anti-crushing system is adjusted correctly and that the release mechanism for manual movement is fully operative (see relevant paragraph).

Safety devices installed on the system must be checked every six months.

## 10. REPAIRS

For repairs, contact authorised service centres.

- 17) On recommande que toute installation soit dotée au moins d'une signalisation lumineuse, d'un panneau de signalisation fixé, de manière appropriée, sur la structure de la fermeture, ainsi que des dispositifs cités au point "16".
- 18) GENIUS décline toute responsabilité quant à la sécurité et au bon fonctionnement de l'automatisme si les composants utilisés dans l'installation n'appartiennent pas à la production GENIUS.
- 19) Utiliser exclusivement, pour l'entretien, des pièces GENIUS originales.
- 20) Ne jamais modifier les composants faisant partie du système d'automatisme.
- 21) L'installateur doit fournir toutes les informations relatives au fonctionnement manuel du système en cas d'urgence et remettre à l'Usager qui utilise l'installation les "Instructions pour l'Usager" fournies avec le produit.
- 22) Interdire aux enfants ou aux tiers de stationner près du produit durant le fonctionnement.
- 23) Eloigner de la portée des enfants les radiocommandes ou tout autre générateur d'impulsions, pour éviter tout actionnement involontaire de l'automatisme.
- 24) Le transit entre les vantaux ne doit avoir lieu que lorsque le portail est complètement ouvert.
- 25) L'Usager qui utilise l'installation doit éviter toute tentative de réparation ou d'intervention directe et s'adresser uniquement à un personnel qualifié.
- 26) **Tout ce qui n'est pas prévu expressément dans ces instructions est interdit.**

## **ADVERTENCIAS PARA EL INSTALADOR**

### **REGLAS GENERALES PARA LA SEGURIDAD**





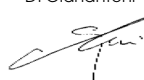
- 1) **¡ATENCIÓN! Es sumamente importante para la seguridad de las personas seguir atentamente las presentes instrucciones. Una instalación incorrecta o un uso impropio del producto puede causar graves daños a las personas.**
- 2) Lean detenidamente las instrucciones antes de instalar el producto.
- 3) Los materiales del embalaje (plástico, poliestireno, etc.) no deben dejarse al alcance de los niños, ya que constituyen fuentes potenciales de peligro.
- 4) Guarden las instrucciones para futuras consultas.
- 5) Este producto ha sido proyectado y fabricado exclusivamente para la utilización indicada en el presente manual. Cualquier uso diverso del previsto podría perjudicar el funcionamiento del producto y/o representar fuente de peligro.
- 6) GENIUS declina cualquier responsabilidad derivada de un uso impropio o diverso del previsto.
- 7) No instalen el aparato en atmósfera explosiva: la presencia de gas o humos inflamables constituye un grave peligro para la seguridad.
- 8) Los elementos constructivos mecánicos deben estar de acuerdo con lo establecido en las Normas EN 12604 y EN 12605.  
Para los países no pertenecientes a la CEE, además de las referencias normativas nacionales, para obtener un nivel de seguridad adecuado, deben seguirse las Normas arriba indicadas.
- 9) GENIUS no es responsable del incumplimiento de las buenas técnicas de fabricación de los cierres que se han de motorizar, así como de las deformaciones que pudieran intervenir en la utilización.
- 10) La instalación debe ser realizada de conformidad con las Normas EN 12453 y EN 12445. El nivel de seguridad de la automatización debe ser C+E.
- 11) Quitar la alimentación eléctrica antes de efectuar cualquier intervención en la instalación.
- 12) Coloquen en la red de alimentación de la automatización un interruptor omnipolar con distancia de apertura de los contactos igual o superior a 3 mm. Se aconseja usar un magnetotérmico de 6A con interrupción omnipolar.
- 13) Comprueben que la instalación disponga línea arriba de un interruptor diferencial con umbral de 0,03 A.
- 14) Verifiquen que la instalación de tierra esté correctamente realizada y conecten las partes metálicas del cierre.
- 15) La automatización dispone de un dispositivo de seguridad antiaplastamiento constituido por un control de par. No obstante, es necesario comprobar el umbral de intervención según lo previsto en las Normas indicadas en el punto 10.
- 16) Los dispositivos de seguridad (norma EN 12978) permiten proteger posibles áreas de peligro de **Riesgos mecánicos de movimiento**, como por ej. aplastamiento, arrastre, corte.
- 17) Para cada equipo se aconseja usar por lo menos una señalización luminosa así como un cartel de señalización adecuadamente fijado a la estructura del bastidor, además de los dispositivos indicados en el "16".
- 18) GENIUS declina toda responsabilidad relativa a la seguridad y al buen funcionamiento de la automatización si se utilizan componentes de la instalación que no sean de producción GENIUS.
- 19) Para el mantenimiento utilicen exclusivamente piezas originales GENIUS
- 20) No efectúen ninguna modificación en los componentes que forman parte del sistema de automatización.
- 21) El instalador debe proporcionar todas las informaciones relativas al funcionamiento del sistema en caso de emergencia y entregar al usuario del equipo el manual de advertencias que se adjunta al producto.
- 22) No permitan que niños o personas se detengan en proximidad del producto durante su funcionamiento.
- 23) Mantengan lejos del alcance los niños los teletandos o cualquier otro emisor de impulso, para evitar que la automatización pueda ser accionada involuntariamente.

- 24) Sólo puede transitarse entre las hojas si la cancela está completamente abierta.
- 25) El usuario no debe por ningún motivo intentar reparar o modificar el producto, debe siempre dirigirse a personal cualificado.
- 26) **Todo lo que no esté previsto expresamente en las presentes instrucciones debe entenderse como no permitido**

## **HINWEISE FÜR DEN INSTALLATIONSTECHNIKER**

### **ALLGEMEINE SICHERHEITSVORSCHRIFTEN**

- 1) **ACHTUNG! Um die Sicherheit von Personen zu gewährleisten, sollte die Anleitung aufmerksam befolgt werden. Eine falsche Installation oder ein fehlerhafter Betrieb des Produktes können zu schwerwiegenden Personenschäden führen.**
- 2) Bevor mit der Installation des Produktes begonnen wird, sollten die Anleitungen aufmerksam gelesen werden.
- 3) Das Verpackungsmaterial (Kunststoff, Styropor, usw.) sollte nicht in Reichweite von Kindern aufbewahrt werden, da es eine potentielle Gefahrenquelle darstellt.
- 4) Die Anleitung sollte aufbewahrt werden, um auch in Zukunft Bezug auf sie nehmen zu können.
- 5) Dieses Produkt wurde ausschließlich für den in diesen Unterlagen angegebenen Gebrauch entwickelt und hergestellt. Jeder andere Gebrauch, der nicht ausdrücklich angegeben ist, könnte die Unversehrtheit des Produktes beeinträchtigen und/oder eine Gefahrenquelle darstellen.
- 6) Die Firma GENIUS lehnt jede Haftung für Schäden, die durch unsachgemäßen oder nicht bestimmungsgemäßen Gebrauch der Automatik verursacht werden, ab.
- 7) Das Gerät sollte nicht in explosionsgefährdeten Umgebungen installiert werden: das Vorhandensein von entflammenden Gasen oder Rauch stellt ein schwerwiegendes Sicherheitsrisiko dar.
- 8) Die mechanischen Bauelemente müssen den Anforderungen der Normen EN 12604 und EN 12605 entsprechen.  
Für Länder, die nicht der Europäischen Union angehören, sind für die Gewährleistung eines entsprechenden Sicherheitsniveaus neben den nationalen gesetzlichen Bezugsvorschriften die oben aufgeführten Normen zu beachten.
- 9) Die Firma GENIUS übernimmt keine Haftung im Falle von nicht fachgerechten Ausführungen bei der Herstellung der anzutreibenden Schließvorrichtungen sowie bei Deformationen, die eventuell beim Betrieb entstehen.
- 10) Die Installation muß unter Beachtung der Normen EN 12453 und EN 12445 erfolgen. Die Sicherheitsstufe der Automatik sollte C+E sein.
- 11) Vor der Ausführung jeglicher Eingriffe auf der Anlage ist die elektrische Versorgung abzunehmen.
- 12) Auf dem Versorgungsnetz der Automatik ist ein omnipolarer Schalter mit Öffnungsabstand der Kontakte von über oder gleich 3 mm einzubauen. Darüber hinaus wird der Einsatz eines Magnetschutzschalters mit 6A mit omnipolarer Abschaltung empfohlen.
- 13) Es sollte überprüft werden, ob vor der Anlage ein Differentialschalter mit einer Auslöseschwelle von 0,03 A zwischengeschaltet ist.
- 14) Es sollte überprüft werden, ob die Erdungsanlage fachgerecht ausgeführt wurde. Die Metallteile der Schließung sollten an diese Anlage angeschlossen werden.
- 15) Die Automation verfügt über eine eingebaute Sicherheitsvorrichtung für den Quetschschutz, die aus einer Drehmomentkontrolle besteht. Es ist in jedem Falle erforderlich, deren Eingriffsschwelle gemäß der Vorgaben der unter Punkt 10 angegebenen Vorschriften zu überprüfen.
- 16) Die Sicherheitsvorrichtungen (Norm EN 12978) ermöglichen den Schutz eventueller Gefahrenbereiche vor **mechanischen Bewegungsrisiken**, wie zum Beispiel Quetschungen, Mitschleifen oder Schnittverletzungen.
- 17) Für jede Anlage wird der Einsatz von mindestens einem Leuchtsignal empfohlen sowie eines Hinweisschildes, das über eine entsprechende Befestigung mit dem Aufbau des Tors verbunden wird. Darüber hinaus sind die unter Punkt "16" erwähnten Vorrichtungen einzusetzen.
- 18) Die Firma GENIUS lehnt jede Haftung hinsichtlich der Sicherheit und des störungsfreien Betriebs der Automatik ab, soweit Komponenten auf der Anlage eingesetzt werden, die nicht im Hause GENIUS hergestellt wurden.
- 19) Bei der Instandhaltung sollten ausschließlich Originalteile der Firma GENIUS verwendet werden.
- 20) Auf den Komponenten, die Teil des Automationsystems sind, sollten keine Veränderungen vorgenommen werden.
- 21) Der Installateur sollte alle Informationen hinsichtlich des manuellen Betriebs des Systems in Noffällen liefern und dem Betreiber der Anlage das Anleitungsbuch, das dem Produkt beigelegt ist, übergeben.
- 22) Weder Kinder noch Erwachsene sollten sich während des Betriebs in der unmittelbaren Nähe der Automation aufhalten.
- 23) Die Funksteuerungen und alle anderen Impulsgeber sollten außerhalb der Reichweite von Kindern aufbewahrt werden, um ein versehentliches Aktivieren der Automation zu vermeiden.
- 24) Der Durchgang oder die Durchfahrt zwischen den Flügeln darf lediglich bei vollständig geöffnetem Tor erfolgen.
- 25) Der Betreiber sollte keinerlei Reparaturen oder direkte Eingriffe auf der Automation ausführen, sondern sich hierfür ausschließlich an qualifiziertes Fachpersonal wenden.
- 26) **Alle Vorgehensweisen, die nicht ausdrücklich in der vorliegenden Anleitung vorgesehen sind, sind nicht zulässig**

DICHIARAZIONE CE DI CONFORMITÀ PER MACCHINE (DIRETTIVA 89/392 CEE, ALLEGATO II, PARTE B)	EC MACHINE DIRECTIVE COMPLIANCE DECLARATION (DIRECTIVE 89/392 EEC, APPENDIX II, PART B)	DÉCLARATION CE DE CONFORMITÉ (DIRECTIVE EUROPÉENNE "MACHINES" 89/392/CEE, ANNEXE II, PARTIE B)
<p><b>Fabbricante:</b> GENIUS s.r.l. <b>Indirizzo:</b> Via Padre Elzi, 32 24050 - Grassobbio BERGAMO - ITALIA</p> <p><b>Dichiara che:</b> L'Attuatore mod. ELITE</p> <ul style="list-style-type: none"> <li>è costruito per essere incorporato in una macchina o per essere assemblato con altri macchinari per costituire una macchina ai sensi della Direttiva 89/392 CEE, e successive modifiche 91/368/CEE, 93/44/CEE, 93/68/CEE;</li> <li>è conforme ai requisiti essenziali di sicurezza delle seguenti altre direttive CEE: 73/23 CEE e successiva modifica 93/68/CEE, 89/336 CEE e successiva modifica 92/31 CEE e 93/68/CEE</li> </ul> <p>e inoltre dichiara che <u>non è consentito mettere in servizio il macchinario</u> fino a che la macchina in cui sarà incorporata o di cui diverrà componente sia stata identificata e ne sia stata dichiarata la conformità alle condizioni della Direttiva 89/392/CEE e successive modifiche trasposta nella legislazione nazionale dal DPR n° 459 del 24 Luglio 1996.</p> <p>Grassobbio, 1 Marzo 2002</p> <p>L'Amministratore Delegato D. Gianantoni </p>	<p><b>Manufacturer:</b> GENIUS s.r.l. <b>Address:</b> Via Padre Elzi, 32 24050 - Grassobbio BERGAMO - ITALY</p> <p><b>Hereby declares that:</b> the ELITE</p> <ul style="list-style-type: none"> <li>is intended to be incorporated into machinery, or to be assembled with other machinery to constitute machinery in compliance with the requirements of Directive 89/392 EEC, and subsequent amendments 91/368 EEC, 93/44 EEC and 93/68 EEC;</li> <li>complies with the essential safety requirements in the following EEC Directives: 73/23 EEC and subsequent amendment 93/68 EEC, 89/336 EEC and subsequent amendments 92/31 EEC and 93/68 EEC.</li> </ul> <p>and furthermore declares that <u>unit must not be put into service</u> until the machinery into which it is incorporated or of which it is a component has been identified and declared to be in conformity with the provisions of Directive 89/392 EEC and subsequent amendments enacted by the national implementing legislation.</p> <p>Grassobbio, 1 March 2002</p> <p>Managing Director D. Gianantoni </p>	<p><b>Fabricant:</b> GENIUS s.r.l. <b>Adresse:</b> Via Padre Elzi, 32 24050 - Grassobbio BERGAMO - ITALIE</p> <p><b>Déclare d'une part</b> que l'automatisme mod. ELITE</p> <ul style="list-style-type: none"> <li>est prévue soit pour être incorporée dans une machine, soit pour être assemblée avec d'autres composants ou parties en vue de former une machine selon la directive européenne "machines" 89/392 CEE, modifiée 91/368 CEE, 93/44 CEE, 93/68 CEE.</li> <li>satisfait les exigences essentielles de sécurité des directives CEE suivantes: 73/23 CEE, modifiée 93/68 CEE, 89/336 CEE, modifiée 92/31 CEE et 93/68 CEE.</li> </ul> <p><b>et d'autre part</b> qu'il est formellement interdit de mettre en fonction l'automatisme en question avant que la machine dans laquelle il sera intégrée ou dont il constituera un composant ait été identifiée et déclarée conforme aux exigences essentielles de la directive européenne "machines" 89/392/CEE, et décrets de transposition de la directive.</p> <p>Grassobbio, le 1 Mars 2002</p> <p>L'Administrateur Délégué D. Gianantoni </p>
<p><b>DECLARACIÓN DE CONFORMIDAD CE PARA MÁQUINAS</b> (DIRECTIVA 89/392 CEE, ANEXO II, PARTE B)</p> <p><b>Fabricante:</b> GENIUS s.r.l. <b>Dirección:</b> Via Padre Elzi, 32 24050 - Grassobbio BERGAMO - ITALIA</p> <p><b>Declara que:</b> El equipo automático mod. ELITE</p> <ul style="list-style-type: none"> <li>Hasido construido para ser incorporado en una máquina, o para ser ensamblado con otros mecanismos a fin de constituir una máquina con arreglo a la Directiva 89/392 CEE y a sus sucesivas modificaciones 91/368 CEE, 93/44 CEE y 93/68 CEE.</li> <li>Cumple los requisitos esenciales de seguridad establecidos por las siguientes directivas CEE: 73/23 CEE y sucesiva modificación 93/68 CEE, 89/336 CEE y sucesivas modificaciones 92/31 CEE y 93/68 CEE.</li> </ul> <p>Asimismo, declara que <u>no está permitido poner en marcha</u> el equipo si la máquina en la cual será incorporado, o de la cual se convertirá en un componente, no ha sido identificada o no ha sido declarada su conformidad a lo establecido por la Directiva 89/392 CEE y sus sucesivas modificaciones, y a la ley que la incorpora en la legislación nacional.</p> <p>Grassobbio, 1º de Marzo de 2002.</p> <p>Administrador Delegado D. Gianantoni </p>	<p><b>EG-KONFORMITÄTSERKLÄRUNG ZU MASCHINEN</b> (gemäß EG-Richtlinie 89/392/EWG, Anhang II, Teil B)</p> <p><b>Hersteller:</b> GENIUS s.r.l. <b>Adresse:</b> Via Padre Elzi, 32 24050 - Grassobbio BERGAMO - ITALIEN</p> <p><b>erklärt hiermit, daß:</b> der Antrieb Mod. ELITE</p> <ul style="list-style-type: none"> <li>zum Einbau in eine Maschine oder mit anderen Maschinen zu einer Maschine im Sinne der Richtlinie 89/392 EWG und deren Änderungen 91/368 EWG, 93/44 EWG, 93/68 EWG vorgesehen ist.</li> <li>den wesentlichen Sicherheitsbestimmungen folgender anderer EG-Richtlinien entspricht: 73/23 EWG und nachträgliche Änderung 93/68 EWG 89/336 EWG und nachträgliche Änderung 92/31 EWG sowie 93/68 EWG</li> </ul> <p>und erklärt außerdem, daß die <u>Inbetriebnahme solange untersagt ist</u>, bis die Maschine, in welche diese Maschine eingebaut wird oder von der sie ein Bestandteil ist, den Bestimmungen der Richtlinie 89/392 EWG sowie deren nachträglichen Änderungen entspricht.</p> <p>Grassobbio, 1 März 2002</p> <p>Der Geschäftsführer D. Gianantoni </p>	<p>Le descrizive e le illustrazioni del presente manuale non sono impegnative. GENIUS si riserva il diritto, lasciando inalterate le caratteristiche essenziali dell'apparecchiatura, di apportare in qualunque momento e senza impegnarsi ad aggiornare la presente pubblicazione, le modifiche che essa ritiene convenienti per miglioramenti tecnici o per qualsiasi altra esigenza di carattere costruttivo o commerciale.</p> <p>The descriptions and illustrations contained in the present manual are not binding. GENIUS reserves the right, whilst leaving the main features of the equipments unaltered, to undertake any modifications to holds necessary for either technical or commercial reasons, at any time and without revising the present publication.</p> <p>Les descriptions et les illustrations du présent manuel sont fournies à titre indicatif. GENIUS se réserve le droit d'apporter à tout moment les modifications qu'elle jugera utiles sur ce produit tout en conservant les caractéristiques essentielles, sans devoir pour autant mettre à jour cette publication.</p> <p>Las descripciones y las ilustraciones de este manual no comportan compromiso alguno. GENIUS se reserva el derecho, dejando inmutadas las características esenciales de los aparatos, de aportar, en cualquier momento y sin comprometerse a poner a día la presente publicación, todas las modificaciones que considere oportunas para el perfeccionamiento técnico o para cualquier otro tipo de exigencia de carácter constructivo o comercial.</p> <p>Die Beschreibungen und Abbildungen in vorliegendem Handbuch sind unverbindlich. GENIUS behält sich das Recht vor, ohne die wesentlichen Eigenschaften dieses Gerätes zu verändern und ohne Verbindlichkeiten in Bezug auf die Neufassung der vorliegenden Anleitungen, technisch bzw. konstruktiv / kommerziell bedingte Verbesserungen vorzunehmen.</p>

# GENIUS®

**GENIUS s.r.l.**  
Via Padre Elzi, 32  
24050 - Grassobbio  
BERGAMO-ITALY  
tel. 0039.035.4242511  
fax. 0039.035.4242600  
info@geniusg.com  
www.geniusg.com

Timbro rivenditore: / Distributor's stamp: / Timbre de l'agent: /  
Sello del revendedor: / Fachhändlerstempel:

